



LIVE THE BRAAI LIFE

MERIDIAN 3 & 4 BUILT-IN

MODEL No: 982231 & 982241



MERIDIAN 3
982231



MERIDIAN 4
982241

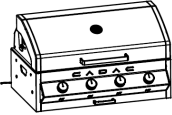

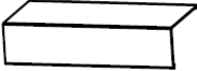

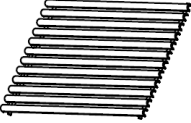


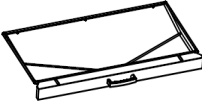


ASSEMBLY INSTRUCTIONS

NOTE: PRODUCT MAY VARY FROM ILLUSTRATIONS

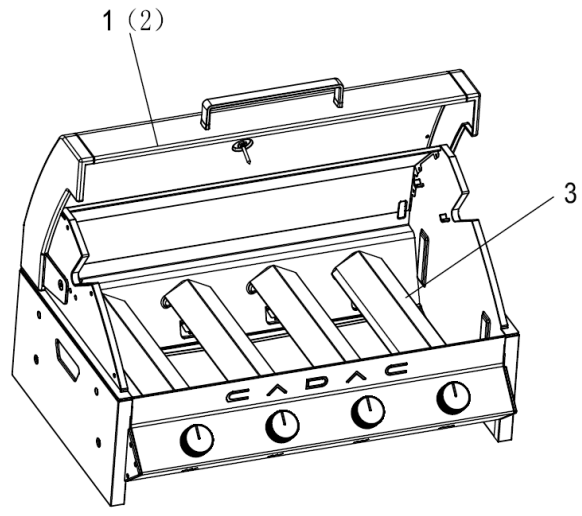
503-0487 LEV6



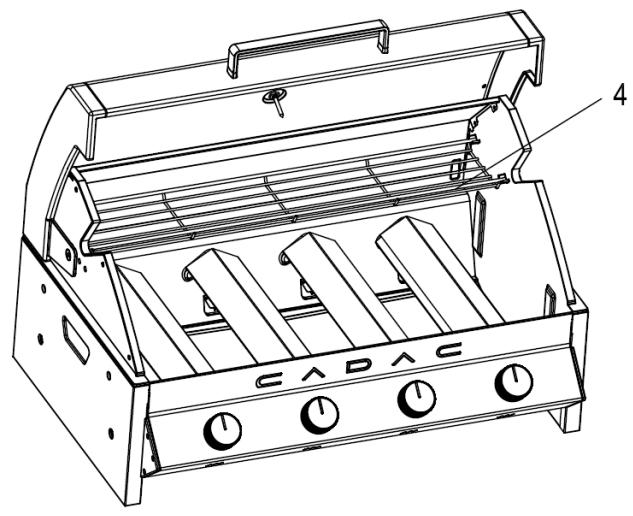
| | | |
|---|---|---|
| 1 |  | x 1 982241 |
| 2 |  | x 1 982231 |
| 3 |  | x 3 982231 x 4 982241 |
| 4 |  | x 1 |
| 5 |  | 982231 (UK, US, HK,ZA) x2 982231 Other x1 982241 (US, UK, HK, ZA) x3 982241 Other x2 |
| 6 |  | 982231 (UK, US, HK,ZA) x1 982231 Other x1 982241 (US, UK, HK, ZA) x0 982241 Other x0 |
| 7 |  | 982231/982241 (UK, US, HK,ZA) x0 982231/982241 Other x1 |
| 8 |  | x 1 |



1.

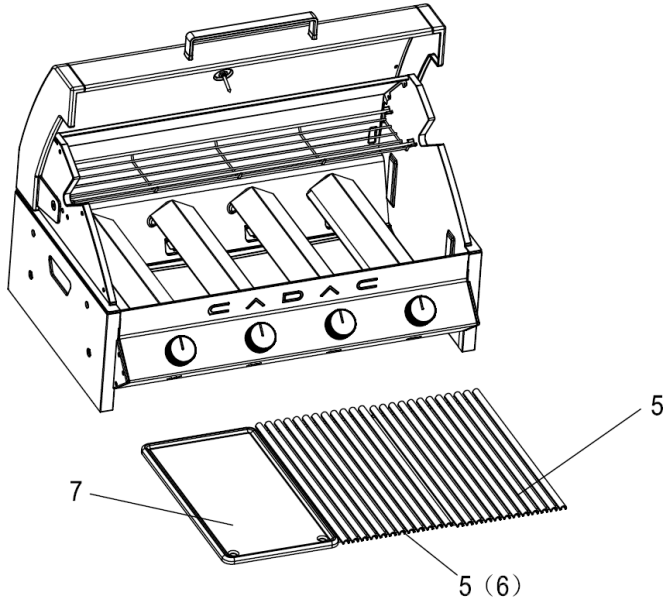


2.

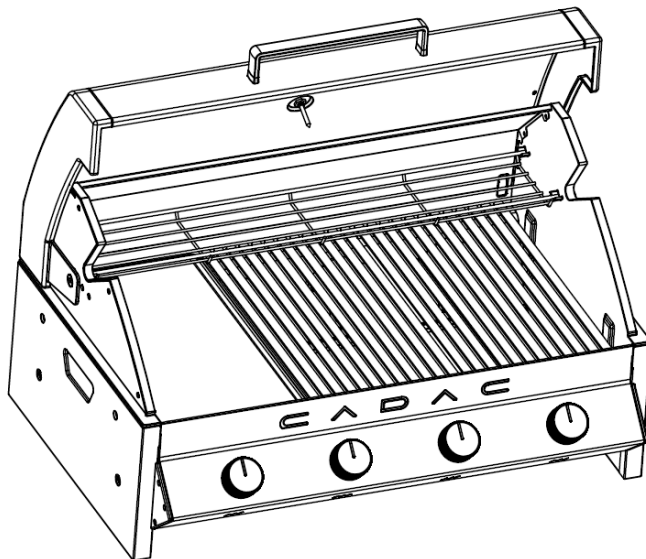




3.

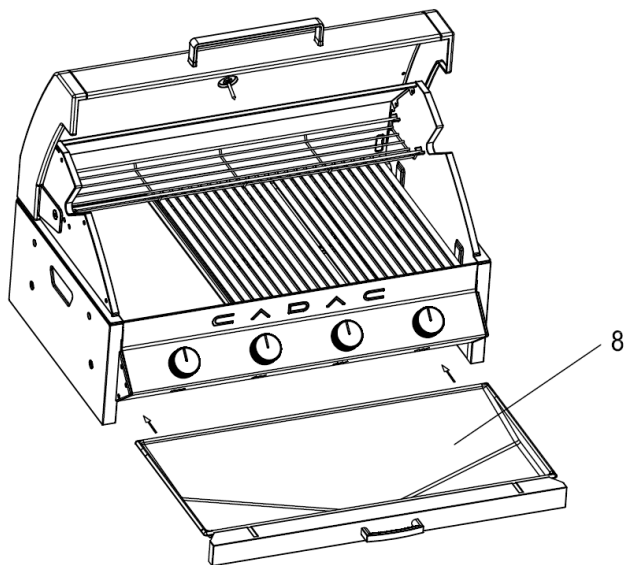


4.

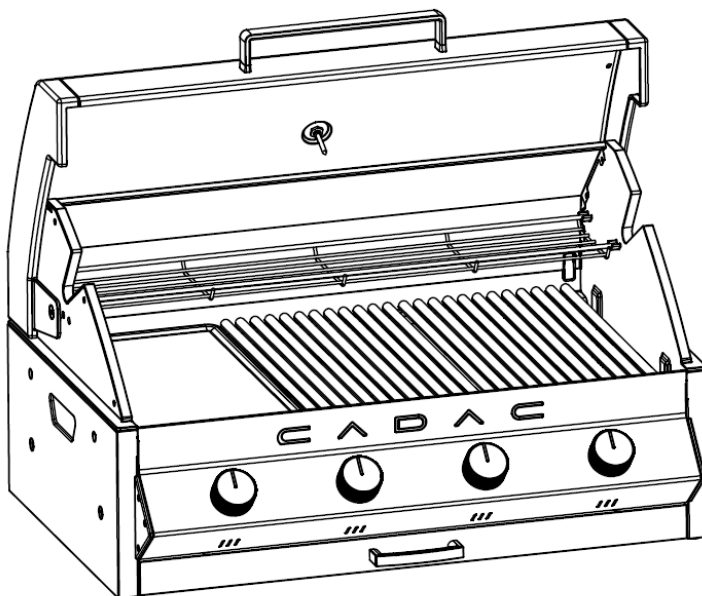




5.

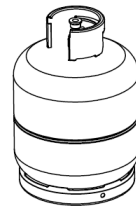
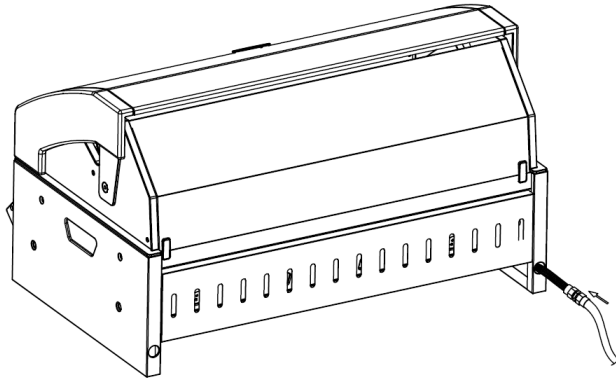


6.





7.



NOT INCLUDED

8. SOUTH AFRICA

Fig. 1

| | 4 BURNER / 982241 | 3 BURNER / 982231 |
|---|----------------------|----------------------|
| A | 250mm | 250mm |
| B | 560mm | 560mm |
| C | 880mm | 730mm |
| D | 100mm x 100mm | 100mm x 100mm |

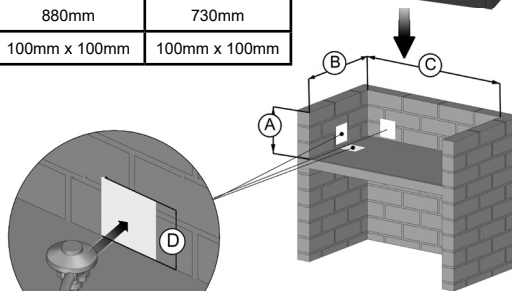
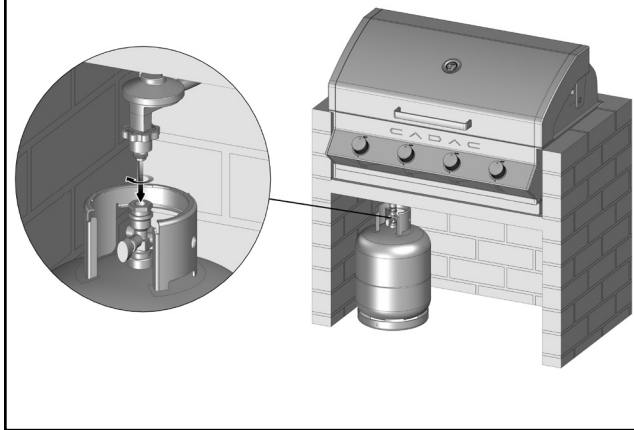




Fig. 2



USE OUTDOORS ONLY!

- The installation must be outdoors, and the area well ventilated.
- If you fit the unit underneath a chimney, you need to install an extractor fan in the chimney.
- Please refer to the installation diagrams above to prepare your BBQ.
- Please note: The unit is intended as a stand-alone unit, and does not require a fixed installation.
- If you wish to have the BBQ bolted down, it is required that a LPGSASA certified installer carry out the installation of the BBQ in which the installer must comply to SANS 10087-2.
- We recommend that the unit not be hard mounted so that it can be easily removed for future maintenance or repairs.
- The BBQ must be placed on a non-combustible base with non-combustible sides, (Preferably re-inforced concrete, concrete lintels or bricks)
- The installation must allow sufficient space at the bottom of the appliance, to allow continuous airflow to the burners. (Appr. 40mm - See Fig.1 and 2)
- A hole needs to be provided in the rear left corner of the base or the side, to feed the hose and regulator(supplied) through to the LPG Cylinder. (150mm x 150mm)
- The front face of the BBQ must be left open at all times (to allow airflow to the burners). (see Fig 1 and 2)
- The BBQ can be used with a 5kg, or a 7kg CADAC cylinder, as the regulator is sized for these cylinders. If used with a 9kg cylinder, a different regulator needs to be fitted (Not Included).
- Always test the connections with soapy water for leaks before use.

POSITIONING OF GAS CYLINDER

- The cylinder must be positioned such that it cannot fall over accidentally. It is recommended that it is mechanically secured with a chain or a bracket.
- The cylinder may be placed under the non-combustible base, on top of a level concrete slab. If the cylinder is to be placed behind a wall or outside, a certified installer needs to carry out the installation. (To comply with SANS 10087-2). In this case, limitation of where you may position the cylinder applies.
- If the front face of the area where the cylinder is placed (underneath the non-combustible base) is to be closed with doors, ample ventilation has to be provided in the doors and / or sides of the enclosed area by means of louvers. This is a precaution in the event of a gas leak by the cylinder / regulator / hose.



8. EUROPE

Fig. 1

| | 4 BURNER / 982241 | 3 BURNER / 982231 |
|---|----------------------|----------------------|
| A | 250mm | 250mm |
| B | 560mm | 560mm |
| C | 880mm | 730mm |
| D | 100mm x 100mm | 100mm x 100mm |

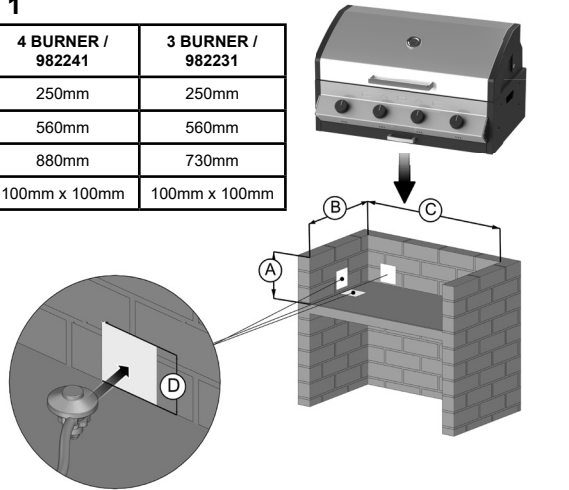
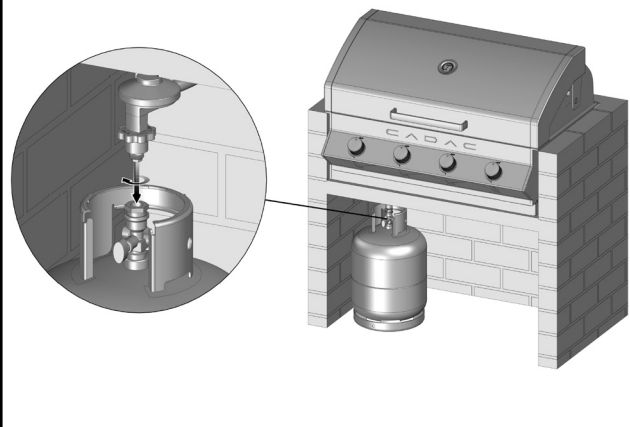


Fig. 2





USE OUTDOORS ONLY!

- The installation must be outdoors.
- If you fit the unit underneath a chimney, you need to install an extractor fan in the chimney.
- Please refer to the installation diagrams above to prepare your BBQ.
- Please note: The unit is intended as a stand-alone unit, and does not require a fixed installation.
- If you wish to have the BBQ bolted down, it is required that a certified installer carry out the installation of the BBQ.
- We recommend that the unit not be hard mounted so that it can be easily removed for future maintenance or repairs.
- The BBQ must be placed on a non-combustible base with non-combustible sides, (Preferably re-inforced concrete, concrete lintels or bricks)
- The installation must allow sufficient space at the bottom of the BBQ, to allow continuous airflow to the burners. (Appr. 40mm)
- A hole needs to be provided in the rear left corner of the base or on the side, to feed the hose and regulator(supplied) through to the Cylinder. (150mm x 150mm)
- The front face of the BBQ must be left open at all times (to allow airflow to the burners). (see Fig 1 and 2)
- The BBQ can be used with any approved propane or butane cylinder and approved regulator to fit the specific cylinder. Check that your selected approved regulator suits the selected approved propane or butane cylinder.
- Always test the connections with soapy water for leaks before use.

POSITIONING OF GAS CYLINDER

- The cylinder must be positioned such that it cannot fall over accidently. It is recommended that it is mechanically secured with a chain or a bracket.
- The cylinder may be placed under the non-combustible base, on top of a level concrete slab. If the cylinder is to be placed behind a wall or outside, a certified installer needs to carry out the installation. In this case, limitation of where you may position the cylinder applies.
- If the front face of the area where the cylinder is placed (underneath the non-combustible base) is to be closed with doors, ample ventilation has to be provided in the doors and / or sides of the enclosed area by means of louvers. This is a precaution in the event of a gas leak by the cylinder / regulator / hose.




CADAC

LIVE THE BRAAI LIFE

CADAC INTERNATIONAL
 P.O. Box 43196,
 Industria, 2042 South Africa
 Tel: +27 11 470 6600
 Fax: +27 11 472 9401
 Email: info@cadac.co.za
 www.cadac.co.za

CADAC CANADA
 Hus-tek, 7 Circle Court,
 Thornhill Ont, L3T 7M3
 Tel: (905) 731-2660
 Mobile: (647)298-6789
 Email: soren@hus-tek.com

CADAC EUROPE
 Ratio 26, 6921 RW Duiven
 The Netherlands
 Tel: +31 26 319 7740
 Fax: +31 26 319 7743
 Email: info@cadaceurope.nl
 www.cadaceurope.com

CADAC GERMANY
 Ratio 26, 6921 RW Duiven
 The Netherlands
 Tel: +31 26 319 7740
 Fax: +31 26 317 7743
 Email: info@cadaceurope.nl
 www.cadaceurope.com

CADAC ZIMBABWE
 Exclusive Brands Africa
 Unit 8 Birkenhead Park
 43 Josiah Chinamano Street
 Belmont, Bulawayo
 Tel/Fax: +263 971 740
 (Bulawayo)
 Tel/Fax: +263 479 2564
 (Harare)
 www.cadac.co.zw

CADAC MALAYSIA
 KATRIN BJ SDN BHD (90816-M)
 No 12, Jalan TP2, Taman
 Perindustrian SIME UEP,
 47600 Subang Jaya, Selangor
 Darul
 Ehsan, Malaysia.
 Tel (603) 8023 3939
 Fax (603) 8023 3339
 info@katrinbj.com

CADAC GREECE
 Thessi Mandra Ntouni
 Koropi 194 00
 Athens Greece
 Tel: +30 210 602 1019
 Fax: +30 210 662 8888
 Email: y.economou@camper-gaz.gr
 www.camper-gaz.gr

CADAC AUSTRALIA
 CADAC-BBQ Pty Ltd, Australia
 Tel: +61 420 503 967
 Customer Care: 1300 135 011
 Fax: +61 755 728 682
 Email: info@cadacbbq.com.au
 www.cadacbbq.com.au

CADAC FRANCE
 Le Viallon, 42520 Veranne
 France
 Tel: +33 4 74 78 13 65
 Email : info@cadaceurope.nl
 www.cadaceurope.com

CADAC NEW ZEALAND
 Riverlea Group (Pty) Ltd
 2A Maui Street, Pukete,
 Hamilton 3200, New Zealand
 Tel: +64 7 847 0204
 Fax: +64 7 847 0205
 Email: sales@riverleagroup.co.nz
 www.riverleagroup.co.nz

CADAC HONG KONG
 Everything Under The Sun
 902 Horizon Plaza, 2 Lee Wing
 Street,
 Ap Lei Chau, HK
 Tel: +852 2554 9088
 Fax: +852 2818 8595
 Email:
 craig@everythingunderthesun.
 com.hk

CADAC DENMARK
 Camper Fritid
 Industrivej 11
 6640 Lunderskov
 Denmark
 Tel.: +45 7558 5255
 Fax.: +45 7558 6312
 info@camper.dk

CADAC CHINA
 Room 807, Huayue International
 Building, No.255 Tiangao Road,
 South
 Yinzhou business district,
 Ningbo, China
 Zip:315199
 Fax:+86 574 87364160
 Tel:+86 574 87723937
 Email: info@cadac.com.cn

CADAC SAUDI ARABIA
 Noble Ventures
 34 Ibn Saad Al Kathib Street,
 Khaliidiya,
 Jeddah, 21435,
 Kingdom of Saudi Arabia
 info@nobleventures.co

CADAC UK
 1 Open Barn
 Backridge Farm Business Centre
 Twitter Lane, Bashall Eaves
 Clitheroe, BB7 3LQ
 United Kingdom
 Tel: +44 333 200 0363
 Fax: +44 333 200 0364
 Email: info@cadacuk.com
 www.cadaceurope.com

CADAC Mozambique
 Exclusive Brands Africa
 492 Avenida Namaacha
 Maputo, Mozambique
 Tel: +258 21 406254
 www.cadac.co.mz

CADAC ITALY
 Brunner SRL/GMBH
 via Buozzi, 8
 39100 Bolzano (Italy)
 PIVA 00848790218
 Tel: +39 0471 542900
 Fax: +39 0471 542905
 Email: info@brunner.it
 www.brunnerinternational.com

CADAC USA
 50 Mountain View Road
 Warren, NJ, 07059
 Tel: 908 604 0677
 Mobile: 908 463 9828
 Email: cadacusa@yahoo.com

CADAC CZECH
 RÖSLER Praha spol. s r.o.
 Výhradní zastoupení
 pro ČR a SR
 Elišky Junkové 1394/8, 102 00
 Praha 10, Česká republika
 Tel.: +420 267 188 011
 Fax.: +420 272 651 046
 E-mail: obchod@rosler.cz
 www.rosler.cz

CADAC TURKEY
 And Dayanikli Tuketim Mallari San.
 Ve Tic. Ltd. Sti.
 Gumuspala Mah. E5 Yanyol Cad.
 No:196 34320 Avcilar/Istanbul/
 Turkey
 Tel: +90 212 590 38 38
 Fax: +90 212 593 02 45
 Email: ygunaydin@andoutdoor.com
 www.grilliguru.ee

CADAC SINGAPORE
 Hy-Ray Private Limited
 40 Jalan Pemimpin, #02-10,
 Tat Ann Building,
 Singapore 577185
 Tel: +65 6253 2277
 Fax: +65 6251 8760
 Email: info@hyray.com.sg

CADAC SOUTH EAST EUROPE
 Borska 45E
 11 000 Belgrade Serbia
 Tel: +381 11 339 2700
 Email: office@cadac.rs
 www.cadac.rs

CADAC KOREA
 Suite 502 Pika Bldg.
 Hogue-Dong, Anyang-Si,
 Gyeonggi-Do, South Korea
 Fax: +82 2 2179 9292
 Tel: +82 31 427 5466
 cadackorea@gmail.com

CADAC ZAMBIA
 Exclusive Brands Africa Limited
 7225A Kachidza Road
 Light Industrial Area
 Lusaka, Zambia
 Tel: +260 (0)969 515908
 Email: info@ebagr.com

CADAC UNITED ARAB EMIRATES
 Picnico General Trading
 PO Box 1797
 Dubai
 UAE
 Tel: nr: +971 4 267 9992
 Fax: +971 4 267 9940
 Email: showroom@picnico.ae

CADAC ESTONIA
 Alvar Landonson
 Grilliguru OÜ Kadaka tee 7/2
 12915 Tallinn
 Tel: +372 5104855
 www.grilliguru.ee

CADAC SWEDEN
 Kama Fritid AB
 Box 114
 560 27 Tenhult
 Sweden
 Tel: +46-(0)36-35 37 00
 info@kamafritid.se

CADAC ISRAEL
 PO.Box 8122819
 Hayarden 13, Yavne, Israel
 Tel: +972-73-2595666
 Fax: +972-8-9429968
 Email: grill@i-berman.co.il